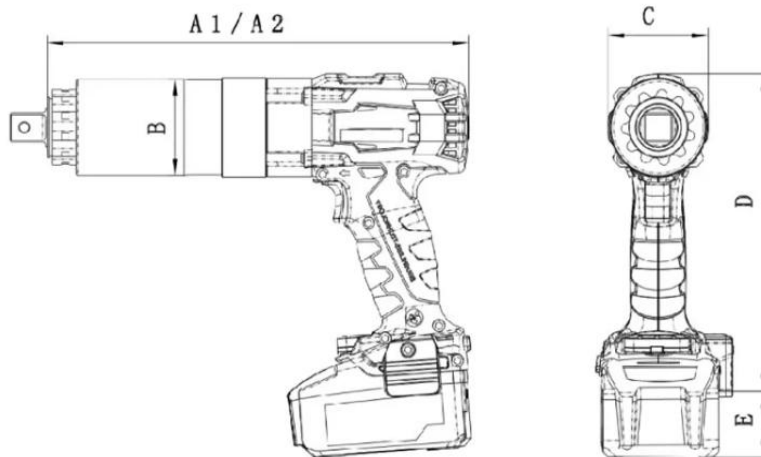


SCW-A Battery Powered Brushless Torque Wrench

Model	Drive Square	Torque	Speed	Weight	Dimensions (mm)				Noise
					A	B	C	D	
		(Nm)	(Rpm)	(Kg)					(db)
SCW-7A	0.75"	200-700	6.5	4	279	69	69	198	80
SCW-14A	0.75"/ 1"	338-1350	5.7	4	284	69	69	198	80
SCW-20A	1"	525-2000	3	4.9	292	76	76	201	80
SCW-30A	1"	700-3000	2.6	5.3	304	78	78	202	80
SCW-40A	1" / 1.5"	1000-4000	2.2	5.9	306	82	82	205	80
SCW-60A	1.5"	1500-6000	1.5	8.6	343	93	93	209	80
SCW-80A	1.5"	2000-8000	1.1	9.9	353	102	102	214	80

Grade: Industrial
 Customized support:
 OEM, ODM, OBM
 Model Number: SCW-A
 Type: Torque Wrench
 Rated Voltage: 18V
 Max. Torque: 700Nm
 No-Load Speed: 13000rpm
 Weight: 4kg
 Power Source: Battery
 Motor Type:
 Brushless Motor
 Minimum Torque: 338Nm
 Maximum Torque: 1350Nm
 RPM: 5.7
 Square Drive Size: 3/4" / 1" inch
 LCD Display: Yes
 Accuracy: $\pm 4\%$



1. 0.96 inch IPS LCD display
2. The use of brushless motor eliminates the need to replace carbon brushes
3. Digitally adjust and display the working parameters of torque and wrench
4. Any value of torque can be set within the torque range, and 1nm adjustment is supported
5. Multi mode regulation, digital torque regulation or 1 to 99 gear torque regulation
6. Programmable preset 10 common output torques or gears
7. The use of multi polar planetary gearbox has high reliability and stability