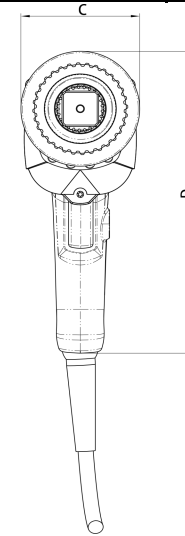
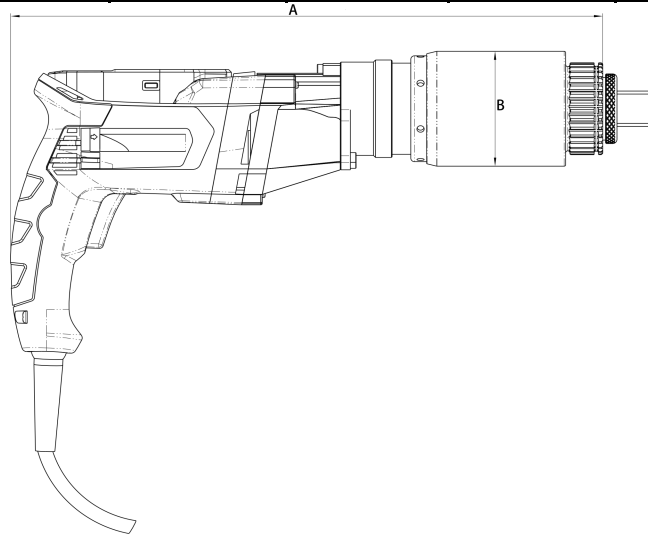


Model	Square Drive Size	Torque Range (NM)		Speed(RPM)	Weight(KG)	Size A(mm)	Size B(mm)	Size C(mm)	Size D(mm)	Noise(db)
SM-8A	0.75"	240	800	12.5	4.9	390	69	78	210	80
SM-12A	0.75"/1"	360	1200	11	4.9	390	69	78	210	80
SM-21A	1"	630	2100	6.8	5.9	395	76	78	214	80
SM-28A	1"	840	2800	5.8	6.4	409	78	78	215	80
SM-40A	1"/1.5"	1200	4000	4	7	412	82	82	217	80
SM-45A	1"/1.5"	1350	4500	3.2	8.4	437	88	88	219	80
SM-60A	1.5"	1800	6000	2.5	9.5	440	93	93	223	80
SM-80A	1.5"	2400	8000	2	10.9	446	102	102	227	80
SM-100A	1.5"/2"	3000	10000	1.2	17.7	531	114	114	232	80
SM-120A	1.5"/2"	3600	12000	1	17.7	531	114	114	232	80



Model	Square Drive Size	Torque Range (NM)		Speed(RPM)	Weight(KG)	Size A(mm)	Size B(mm)	Size C(mm)	Size D(mm)	Size E(mm)	Noise(dB)
SM-8AD	0.75"	250	800	10.5	7.2	363	69	81	216	230	80
SM-12AD	0.75"/1"	350	1200	8.4	7.4	363	69	81	216	230	80
SM-21AD	1"	630	2100	4.8	8.4	365	76	81	216	242	80
SM-28AD	1"	840	2800	4.4	8.8	365	78	81	216	256	80
SM-40AD	1"/1.5"	1200	4000	3.4	9.4	366	88	88	216	257	80
SM-45AD	1"/1.5"	1350	4500	3	10.6	368	86	86	216	282	80
SM-60AD	1.5"	2000	6000	2	12.2	370	93	93	216	281	80
SM-80AD	1.5"	2400	8000	1.9	13.6	374	102	102	216	291	80
SM-100AD	1.5"/2"	3000	10000	1	20.5	381	114	114	216	378	80
SM-120AD	1.5"/2"	3600	12000	0.9	20.5	381	114	114	216	378	80

